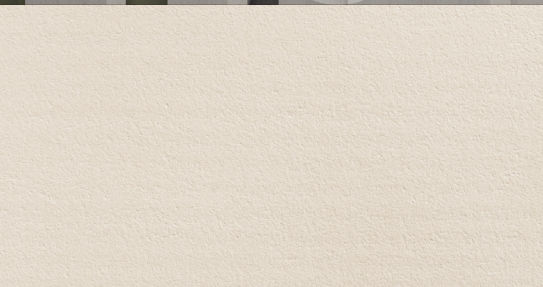


The background of the advertisement is a close-up, low-angle shot of a modern building's facade. It features a series of vertical, light-colored louvers or panels, some of which are slightly offset, creating a sense of depth and architectural complexity. The lighting is soft, highlighting the textures and shadows of the materials. The overall aesthetic is clean, minimalist, and contemporary.

# Frontek

LOUVERS





## FRONTEK Honeycomb pieces

Frontek pieces are characterised by their **honeycomb structure** and rectified finish on all four sides, with two sides grooved along their entire length to allow installation with unseen clamps. Available in sizes **up to 100 × 300 cm**, Frontek pieces are the basis of our internationally certified ventilated façade systems. Their strength, lightness and durability have enabled us to expand their use into new applications, such as flooring, roofing, cladding and decorative solutions.

Now, building on this same technology and anchoring system, **Frontek** has developed a new family of **louvers**, designed to combine aesthetics, functionality and architectural performance in façade design.

HONEYCOMB PIECE

100% RECTIFIED



GROOVED PIECE

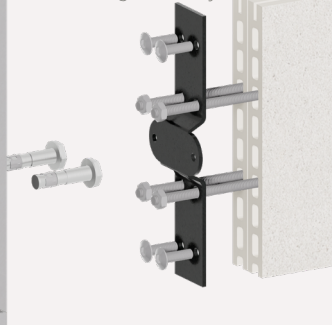


Unique in the world  
Learn more about Frontek



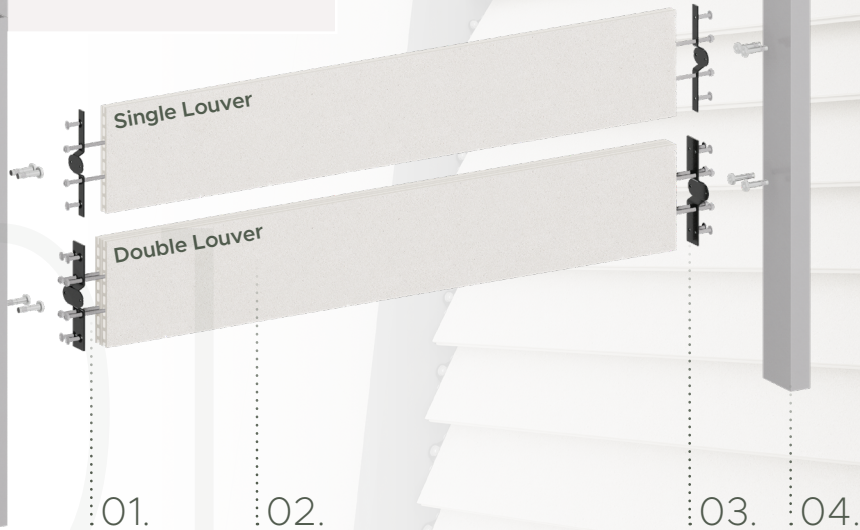
# LOUVER **FIX** | Precision in simplicity

Clamp and threaded rod fixing to the louver through its honeycomb side



A fixed louver system that offers full freedom of angle and design flexibility. Louvers can be positioned vertically or horizontally, adapting to the project's aesthetic and functional needs. The specially designed clamps anchor directly to the louver's honeycomb side, ensuring a secure and discreet attachment. Two clamp options are available: single or double, allowing either one-sided installation or a double finish when both faces of the louver must remain visible.

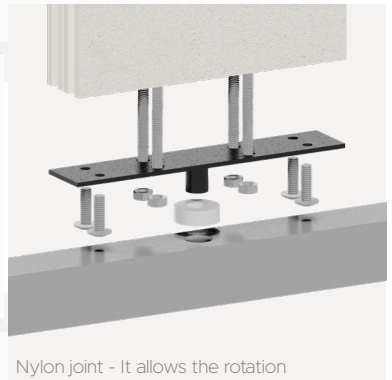
01. Threaded Rod
02. Frontek Louver
03. Louver Fix Clamp
04. Metallic Structure



# LOUVER PIVOT | Control in motion

A rotating louver system with a specially designed clamp that integrates a pivot and a nylon joint, enabling smooth 360° rotation. Designed for vertical installation, the system allows real-time control of light, ventilation, and aesthetics. Each clamp is conceived for double louver placement, ensuring a Frontek finish on both faces and even allowing the combination of different models for greater design freedom. Its discreet attachment to the louver's honeycomb side maintains structural strength while delivering a clean, elegant appearance.

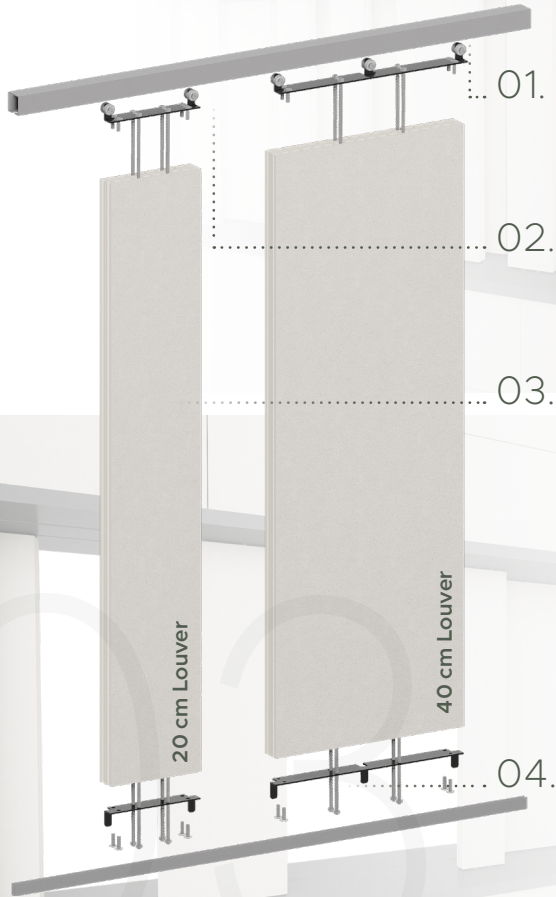
- 01.** Louver Pivot Clamp
- 02.** Frontek Louver
- 03.** Metallic Structure
- 04.** Nylon Joint



Nylon joint - It allows the rotation

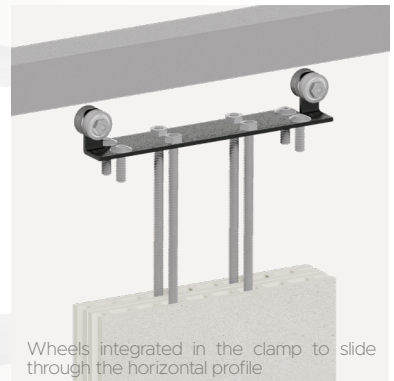


# LOUVER SLIDE | Flow on rails



A horizontal sliding louver system featuring specially designed clamps with integrated wheels that glide smoothly along an upper rail, while the lower guide ensures perfect alignment. By arranging two or more parallel rows of louvers, the system allows full control of light, air, and privacy: from completely closed to fully open. Clamps anchor discreetly to the louver's honeycomb side, and two options are available for 20cm and 40cm wide louvers, ensuring versatility for different design needs.

- 01.** Metallic Structure
- 02.** Louver Slide Clamp with wheels
- 03.** Frontek Louver 20/40cm
- 04.** Threaded Rod



Wheels integrated in the clamp to slide through the horizontal profile



# VENTILATED FAÇADES

## Grupo Greco Gres Internacional

[www.grecogres.com](http://www.grecogres.com)  
[contacto@grecogres.com](mailto:contacto@grecogres.com)  
+34 925 50 00 54



---

### Headquarters

Toledo (Spain)

### Showrooms

Madrid | Barcelona | Toledo | Castellón

### Worldwide delegations

Africa | Asia | America | Europe | Middle East | Oceania